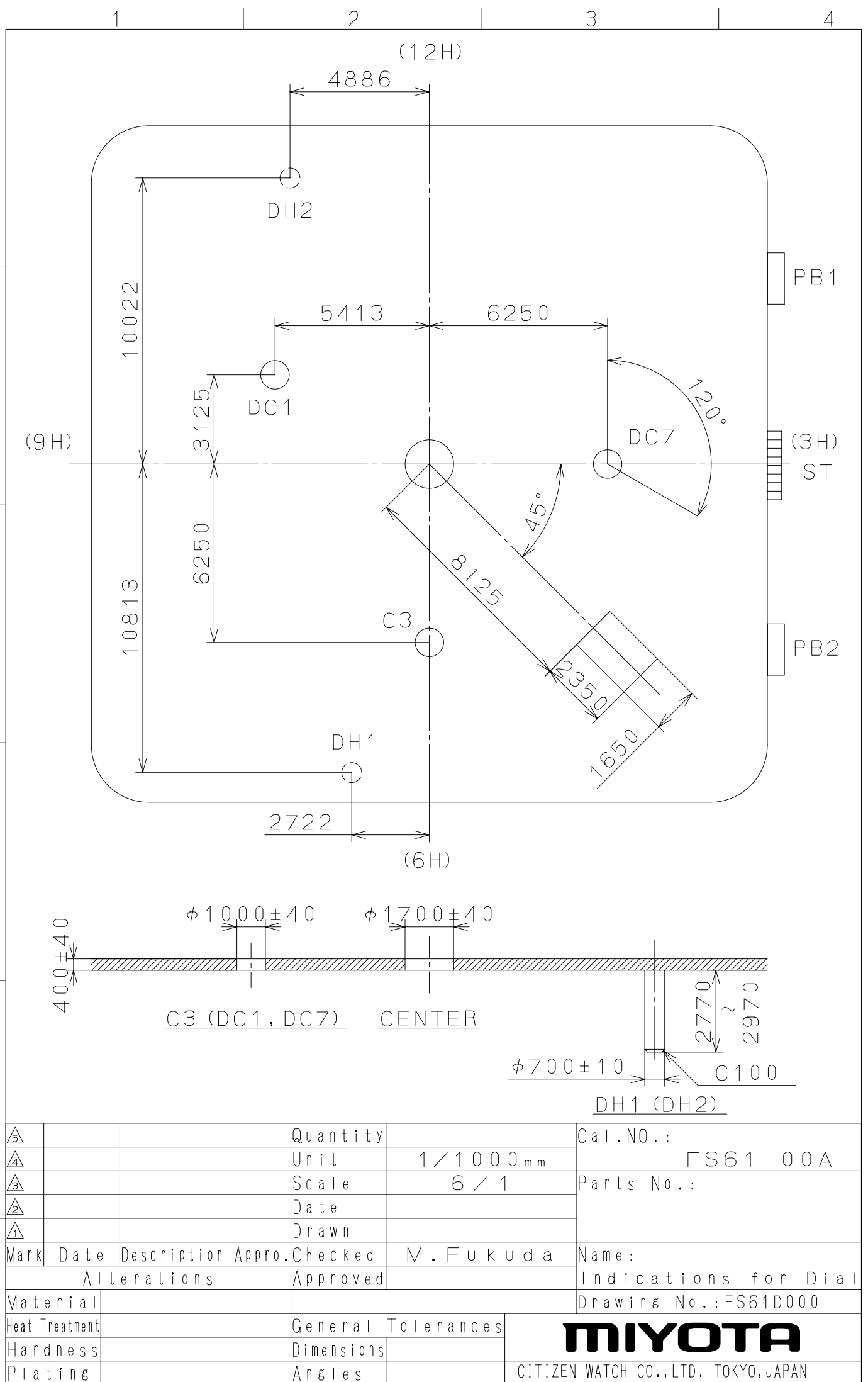


2006/10/24 (09:17:44)

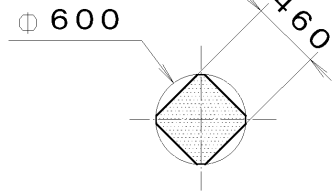
This drawing is provisional and subject to our reconfirmation and/or revision without notice.



△			Quantity		Cal.NO.:
△			Unit	1 / 1000 _{mm}	FS61-00A
△			Scale	6 / 1	Parts No.:
△			Date		
△			Drawn		
Mark	Date	Description	Appr.	Checked	Name:
		Alterations	Approved	M. Fukuda	Indications for Dial
Material					Drawing No.: FS61D000
Heat Treatment			General Tolerances		MIYOTA
Hardness			Dimensions		
Plating			Angles		
					CITIZEN WATCH CO., LTD. TOKYO, JAPAN

This drawing is provisional and subject to our reconfirmation and/or revision without notice.

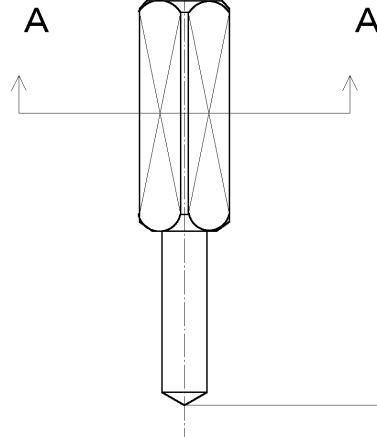
*** T I P W 065-549 (01) *** (2100 1121) 01-12-07



Section A-A

S0. 9, P=0. 225mm

Ø 1000



<table border="1"> <tr><td>7</td><td></td></tr> <tr><td>6</td><td></td></tr> <tr><td>5</td><td></td></tr> <tr><td>4</td><td></td></tr> <tr><td>3</td><td></td></tr> <tr><td>2</td><td></td></tr> <tr><td>1</td><td></td></tr> </table>		7		6		5		4		3		2		1		<table border="1"> <tr><td>Quantity</td><td></td></tr> <tr><td>Unit</td><td>1/1000 mm</td></tr> <tr><td>Scale</td><td>20:1</td></tr> <tr><td>Date</td><td></td></tr> <tr><td>Drawn</td><td></td></tr> <tr><td>Checked</td><td>T. Hiruta</td></tr> <tr><td>Approved</td><td></td></tr> </table>		Quantity		Unit	1/1000 mm	Scale	20:1	Date		Drawn		Checked	T. Hiruta	Approved		<table border="1"> <tr><td>Cal. No. :</td><td></td></tr> <tr><td>Parts:</td><td>065-549</td></tr> <tr><td>Name:</td><td>SETTING STEM</td></tr> <tr><td>Drawing No. :</td><td>5490S000</td></tr> </table>		Cal. No. :		Parts:	065-549	Name:	SETTING STEM	Drawing No. :	5490S000
7																																									
6																																									
5																																									
4																																									
3																																									
2																																									
1																																									
Quantity																																									
Unit	1/1000 mm																																								
Scale	20:1																																								
Date																																									
Drawn																																									
Checked	T. Hiruta																																								
Approved																																									
Cal. No. :																																									
Parts:	065-549																																								
Name:	SETTING STEM																																								
Drawing No. :	5490S000																																								
<table border="1"> <tr><td>Material</td><td></td></tr> <tr><td>Heat Treatment</td><td></td></tr> <tr><td>Hardness</td><td></td></tr> <tr><td>Plating</td><td></td></tr> </table>		Material		Heat Treatment		Hardness		Plating		<table border="1"> <tr><td>General Tolerances</td><td></td></tr> <tr><td>Dimensions</td><td></td></tr> <tr><td>Angles</td><td></td></tr> </table>		General Tolerances		Dimensions		Angles		<p>CITIZEN WATCH CO., LTD. TOKYO, JAPAN</p>																							
Material																																									
Heat Treatment																																									
Hardness																																									
Plating																																									
General Tolerances																																									
Dimensions																																									
Angles																																									